



Caution

Do not mark on the model and other components with pen or leave any printed materials contacted on surface. Ink marks on the model cannot be removed.

MW84

Chest and Abdominal Drain Removal Trainer



Instruction manual

Contents

- Manufacturer's note
Set includes -----P.1
Dos and Don'ts
- Preparations -----P.2-5
- After training -----P.6
- Related video -----P.7

Manufacturer's Note

MW84 Chest and Abdominal Drain Removal Trainer is Strap-on trainer for both chest and abdominal drain removal

Read before use

The product is intended for use of medical and paramedical professionals only. Any other use, or any use not in accordance with the enclosed instructions, is strongly discouraged. The manufacturer cannot be held responsible for any accident or damage resulting from such use. Please use this product carefully and refrain from subjecting to any unnecessary stress or wear. Should you have any questions on this simulator, please feel free to contact our distributor in your area or KYOTO KAGAKU at any time. (Our contact address is on the back cover of this manual)

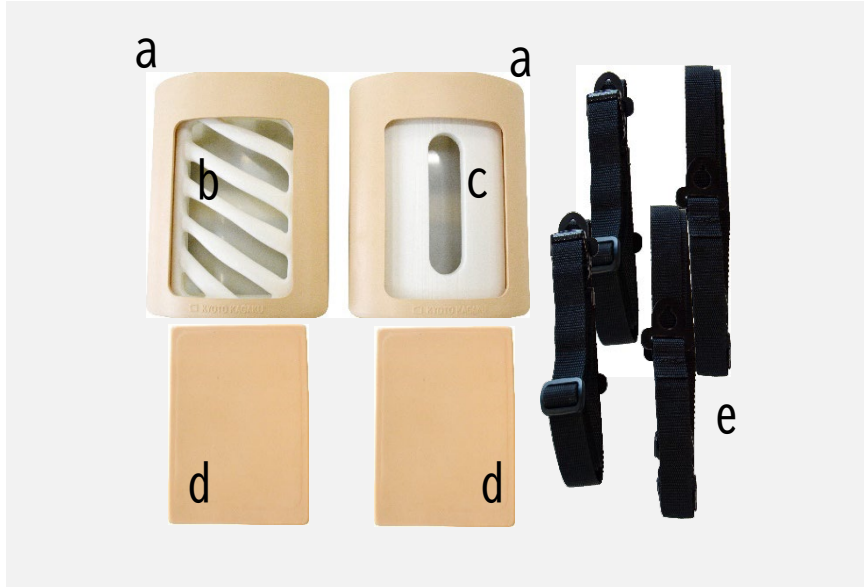
Training Skills

- Chest Drain Removal
- Abdominal Drain Removal
- Drain Site Suturing

Set includes

Set Includes

Before your first use, ensure that you have all components listed below.



- a. 2 drain units
- b. 1 chest panel
- c. 1 abdominal panel
- d. 2 skin sheets
- e. 4 fitting strap

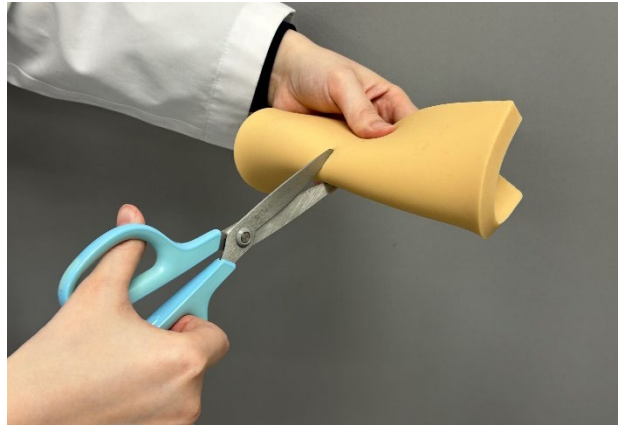
DOs and DON'Ts

<ul style="list-style-type: none"> ● Handle the manikin and the components with care Be sure not to drop or add shock to the manikin and its components, since the product uses special resins and heavy, such shock may cause damage to the products or environment. 	<ul style="list-style-type: none"> ● Do not let ink from pens, oriented materials, this manual or other sources contact with the product's surface, as they cannot be cleaned off.
<ul style="list-style-type: none"> ● Storage dark, cool and dry space will help prevent the product's colors from fading and product from deforming. 	<ul style="list-style-type: none"> ● Never use the organic solvent such as paint thinner to clean the skin, as this will damage the simulator.
<ul style="list-style-type: none"> ● The product may be cleaned with a wet cloth if necessary, using mildly soapy water or diluted detergent. 	<ul style="list-style-type: none"> ● The color of the product's surface may change across the ages, this does not affect the quality of its performance.
<ul style="list-style-type: none"> ● Do not leave tape adhered to the surface of the trainer for extended periods. The adhesive may be absorbed into the material, making the stickiness difficult to remove. If this occurs, gently patting the affected area with duct tape may help to reduce the stickiness. 	<ul style="list-style-type: none"> ● For storage, remove the skin sheet from the unit and place it in the dedicated bag. Prolonged attachment may cause indentation or deformation. Extended contact with plastic or other may also lead to deterioration of both the skin sheet and the contacting material.

Preparation

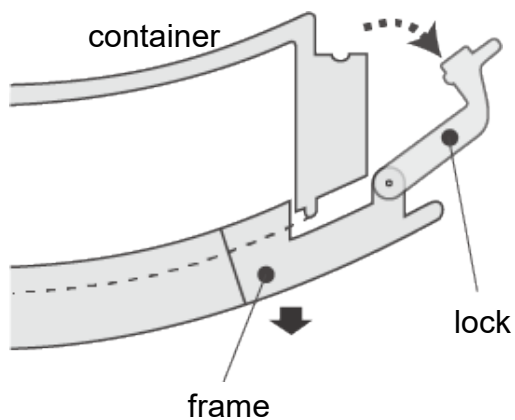
1. Prepare incisions

Incisions for the drainage tube are not pre-made. Create incisions as needed using scissors, a surgical knife, or a utility knife to suit the training scenario.



2. Disassemble the drain unit

Disengage the frame from the drain unit container. Place the frame face down, release one side lock and push it forward, then release the lock on the opposite side.



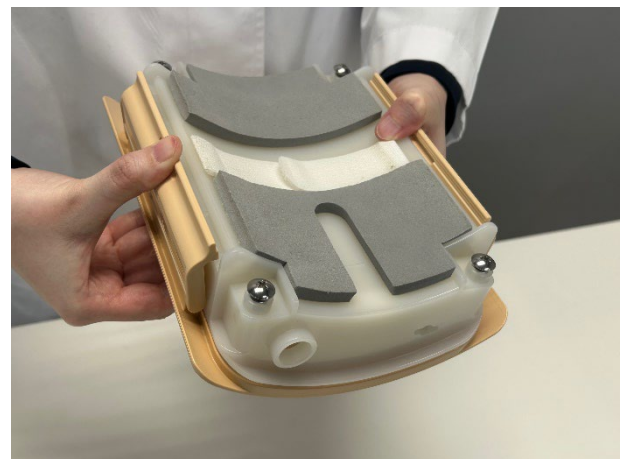
Preparation

3. Assembling the units

1. Place the chest or abdominal plate onto the unit container, then cover it with the skin sheet.



2. Position the frame over the assembled unit and secure it by pushing both side locks until they click into place.



Preparation

4. Setting the drain tube

Insert the drain tube to the incision and secure it by suturing.



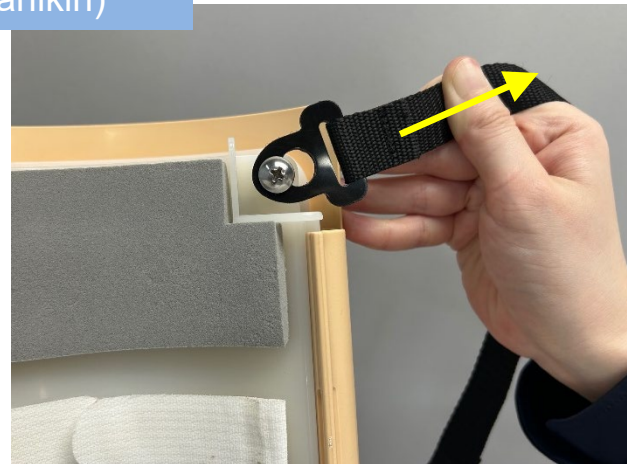
The trainer set doesn't come with the drain tube, suture or forceps. Prepare necessary clinical devices as needed.



5. Attaching the fitting straps

(when strapping on to a SP or a training manikin)

1. Attach the fitting strap to the drain unit. Align the hole in the strap catch with the top screw and place it over the screw head. Pull the strap until the catch snaps securely into place.



*A buckle is located at the center of each strap.

2. Use two straps per unit: one for the upper side (A and B) and one for the lower side (C and D).



Preparation

6. Strapping the unit onto an SP or manikin.

1. Chest Drain

Place the drain unit on the chest. Pass the head and one arm through the upper strap so it runs from the shoulder to the opposite chest. Position the unit at the target site (left thoracic area) and adjust the strap length. Release the lower strap, wrap it around the body, then adjust and fasten the buckle securely.



2. Abdominal Drain

Place the drain unit on the abdomen. Pass the head through the upper strap so it hangs in front of the body. Position the unit at the target site and adjust the strap length. Release the lower strap, wrap it around the body, then adjust and fasten the buckle securely.

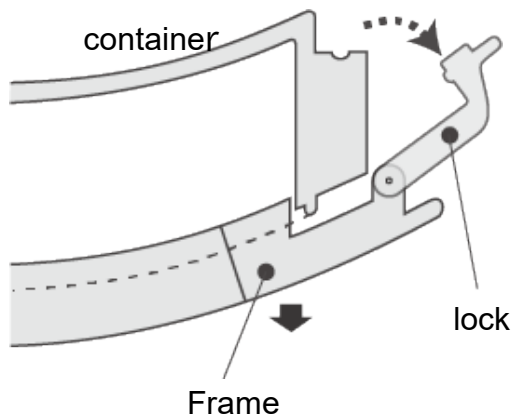


Adjust the length of the strap as needed.

After training

1. Disassembly the drain unit

1. Release both side locks and remove the frame from the container.



2. Remove the skin sheet



Always remove the skin sheet before storage to prevent frame indentation.



Be sure to store the skin sheet in the dedicated storage bag. Prolonged contact with other plastic or other materials may cause deterioration of both the skin sheet and the contacted surfaces.

Related Video Available

Training video using MW84 Chest and Abdominal Drain Removal Trainer is available online. The contents is supervised by Professor Misuzu Nakamura, Critical Care Nursing Area, Nursing Department, Graduate School of Nursing, Nagoya City University



SAMPLE

Now on Kyoto Kagaku
YouTube Channel



Consumables

code	
11488-010	replacement skin for mw84 (set of 2)

KYOTO KAGAKU co.,LTD

WEB:www.kyotokagaku.com e-mail:rw-kyoto@kyotokagaku.co.jp

Worldwide Inquiries & Ordering

Kyotokagaku Head Office and Factories:15 Kitanechoya-cho, Fushimi-ku, Kyoto, 612-8388, JAPAN

Tel: +81-75-605-2510 Fax: +81-75-605-2519

All America regions:USA, Canada, and South America

Kyoto Kagaku America Inc.

3109 Lomita Boulevard, Torrance, CA 90505-5108, USA

Tel: 1-310-325-8860 Fax: 1-310-325-8867 (Toll free in North America:877-648-8195)

e-mail:info@kkamerica-inc.com

Europe, Russia & Africa

Kyoto Kagaku Europe GmbH.

De-Saint-Exupery-Str.10, 60549 Frankfurt, Germany TEL:+49-69-5060-28160

The contents of the instruction manual are subject to change without prior notice.

No part of this instruction manual may be reproduced or transmitted in any form without permission from the manufacturer.

Please contact manufacturer for extra copies of this manual which may contain important updates and revisions.

Please contact manufacturer with any discrepancies, typos, or mistakes in this manual or product feedback. Your cooperation is greatly appreciated.