

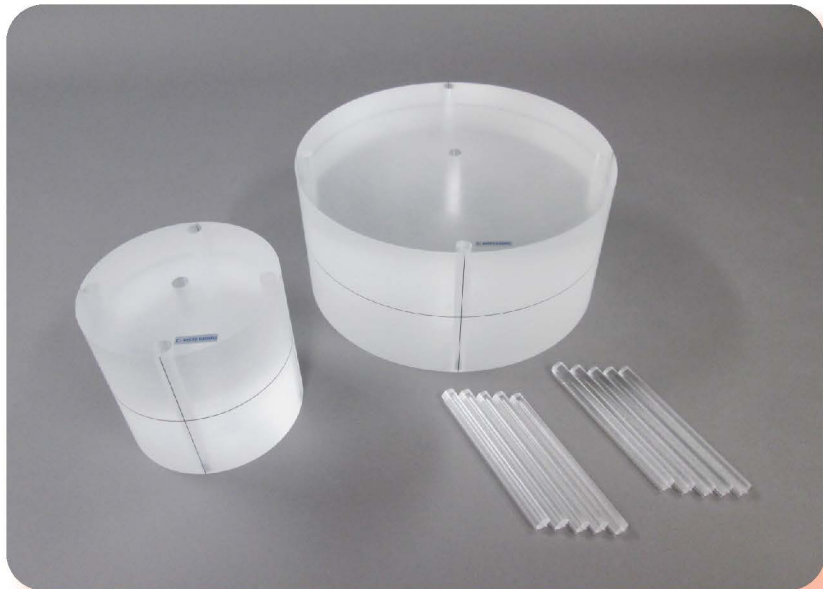
PH-59

CT-DI Phantom (Head and Body Phantom)



Contents

Phantom Overview P1
Specifications P2



Overview

This spherical dosimetry phantom has a density of $1.19 \pm 0.01 \text{ g/cm}^3$ and is made from PMMA. The head phantom measures 160 mm, the body phantom 320 mm in diameter.

Both phantoms have a height of 150 mm.

There is one hole for a rod insert in the middle of the phantom, as well as four holes approximately 10 mm from the edge of the phantom evenly spaced out.

The phantom comes with spacers that should be inserted in any holes that are not being used during testing.

DOs and DON'Ts

DOs

Handle with care

The materials for phantom and models are special composition of soft resin. Please handle with care at all times.

Cleaning and care

Please clean the phantom completely every time after you finish the training.

Keep the product at room temperature, away from heat, moisture and direct sunlight.

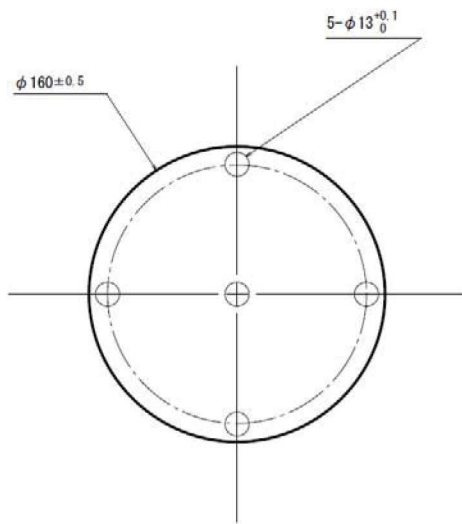
DON'Ts

Never wipe the phantom or models with thinner or organic solvent.

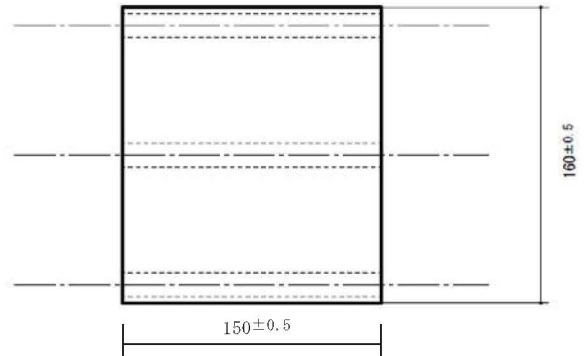
Don't mark on the phantom with pen or leave printed materials contacted on their surface.

Ink marks on the phantoms will be irremovable.

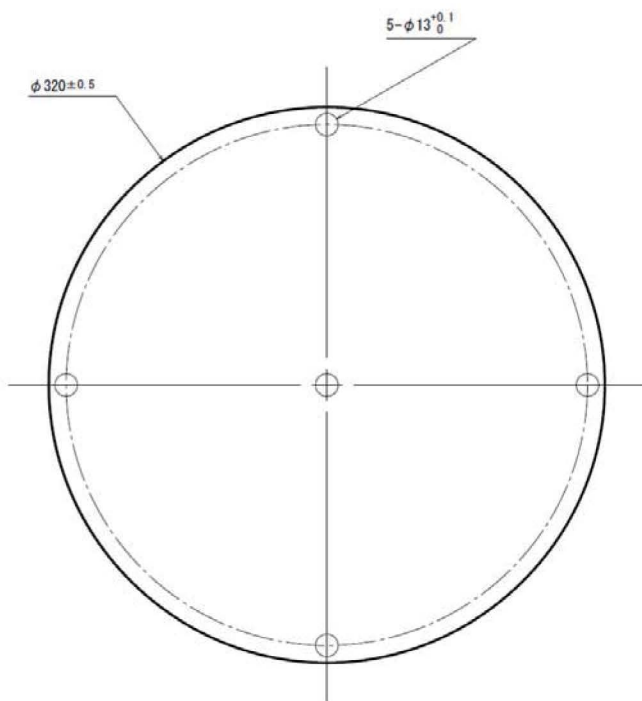
Specifications



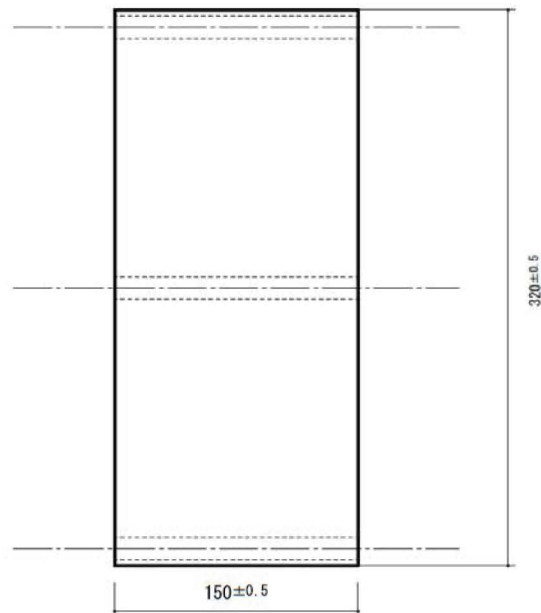
units in mm



Dosimetry phantom (Head)



units in mm



Dosimetry phantom (Body)

■ USA, Canada, and South America



WEB • www.kkamerica-inc.com

E-MAIL • info@kkamerica-inc.com

TEL : 1-310-325-8860 FAX : 1-310-325-8867

3109 Lomita Boulevard, Torrance, CA 90505-5108, USA

■ Europe, Russia & Africa

Kyoto Kagaku Europe GmbH.

TEL : +49-69-5060-28160

De-Saint-Exupery-Str.10,60549 Frankfurt, Germany

■ Worldwide Inquiries and Orders

☐ KYOTO KAGAKU co.,LTD

URL: <http://www.kyotokagaku.com> e-mail: rw-kyoto@kyotokagaku.co.jp

TEL : +81-75-605-2510 FAX : +81-75-605-2519

15 Kitanechoya-cho, Fushimi-ku, Kyoto, 612-8388, JAPAN

The contents of the instruction manual are subject to change without prior notice.

No part of this instruction manual may be reproduced or transmitted in any form without permission from the manufacturer.

Please contact manufacturer for extra copies of this manual which may contain important updates and revisions.

Please contact manufacturer with any discrepancies, typos, or mistakes in this manual or product feedback. Your cooperation is greatly appreciated.