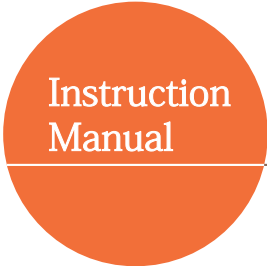


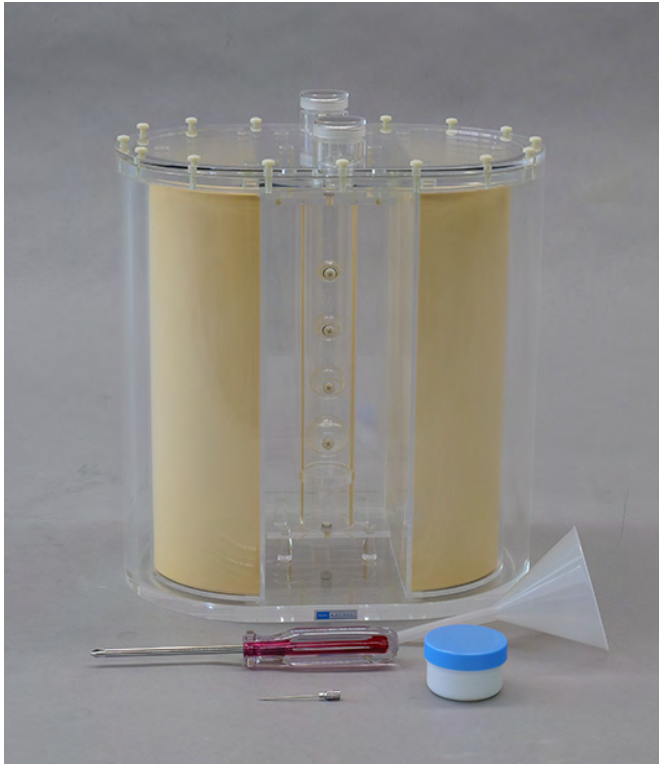
PH-74 Bone Scintigraphy Quality Assurance Phantom

ISMM Type (Sim² BONE Phantom)



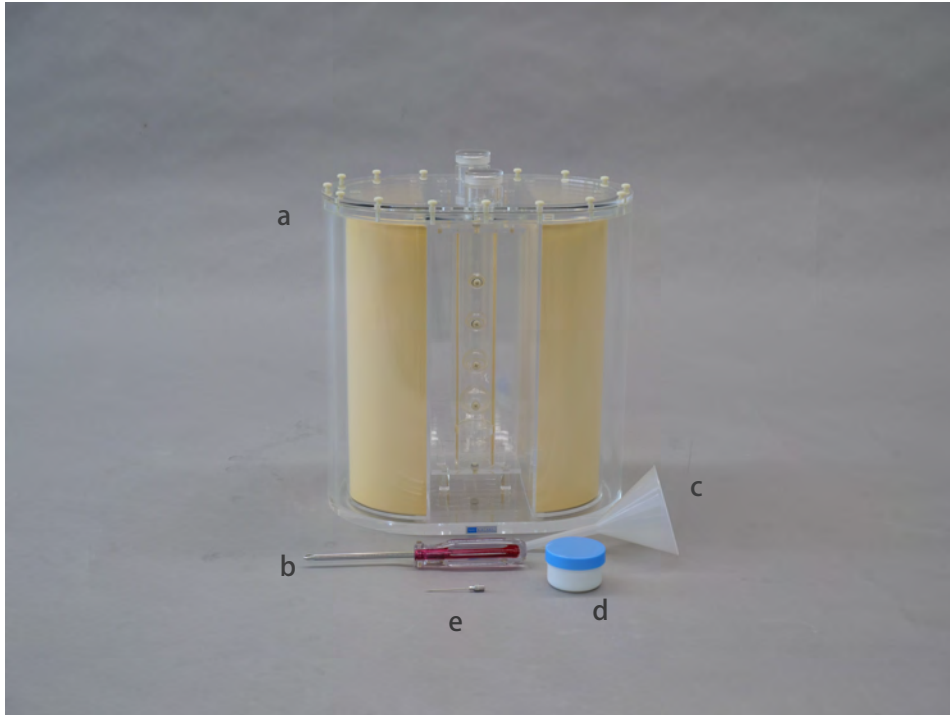
Contents

- Before beginning
 - Product contents and warning P.1
 - Phantom's specs P.2
- Preparation
 - How to set up P.3



Product contents

Before your first use, ensure that your product includes all the components listed below.



a	Phantom body (Including left and right lung fields and bones)	1	d	Petroleum jelly	1
b	Screw driver	1	e	Needle	1
c	Funnel	1		Instruction manual	



Warning

- | | |
|--|--|
| <ul style="list-style-type: none"> ● Please handle with care. The phantom is made of hard resinous material; the phantom can be damaged if dropped or hit by a hard object. | <ul style="list-style-type: none"> ● Please clean the phantom with water or pH neutral detergent. Please do not use organic detergent such as thinner. |
| <ul style="list-style-type: none"> ● Please do not store in high temperatures, high humidity or in direct sunlight. It may lead to deformation or damages. | <ul style="list-style-type: none"> ● Please do not write with a pen. Writing directly on the phantom with felt-tip pen or permanent marker will not wash off. |

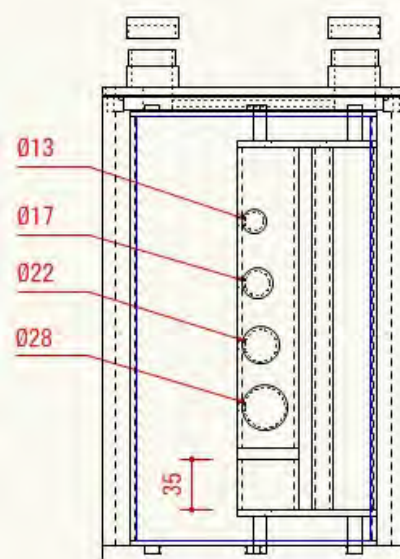
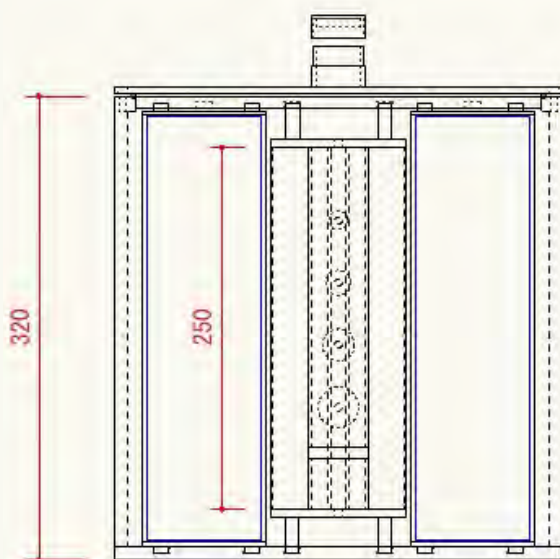
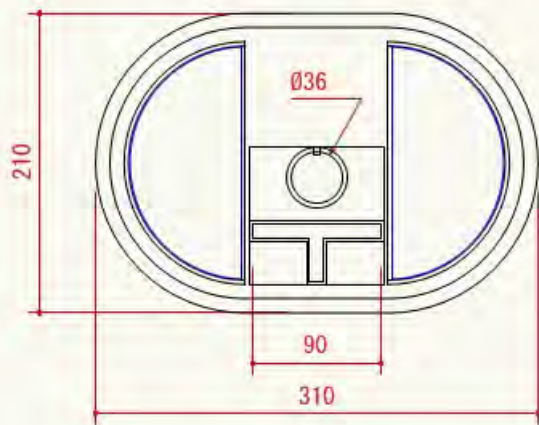
Phantom's specs (External dimensions, material)

W310×D210×H355 mm (Including protrusions)

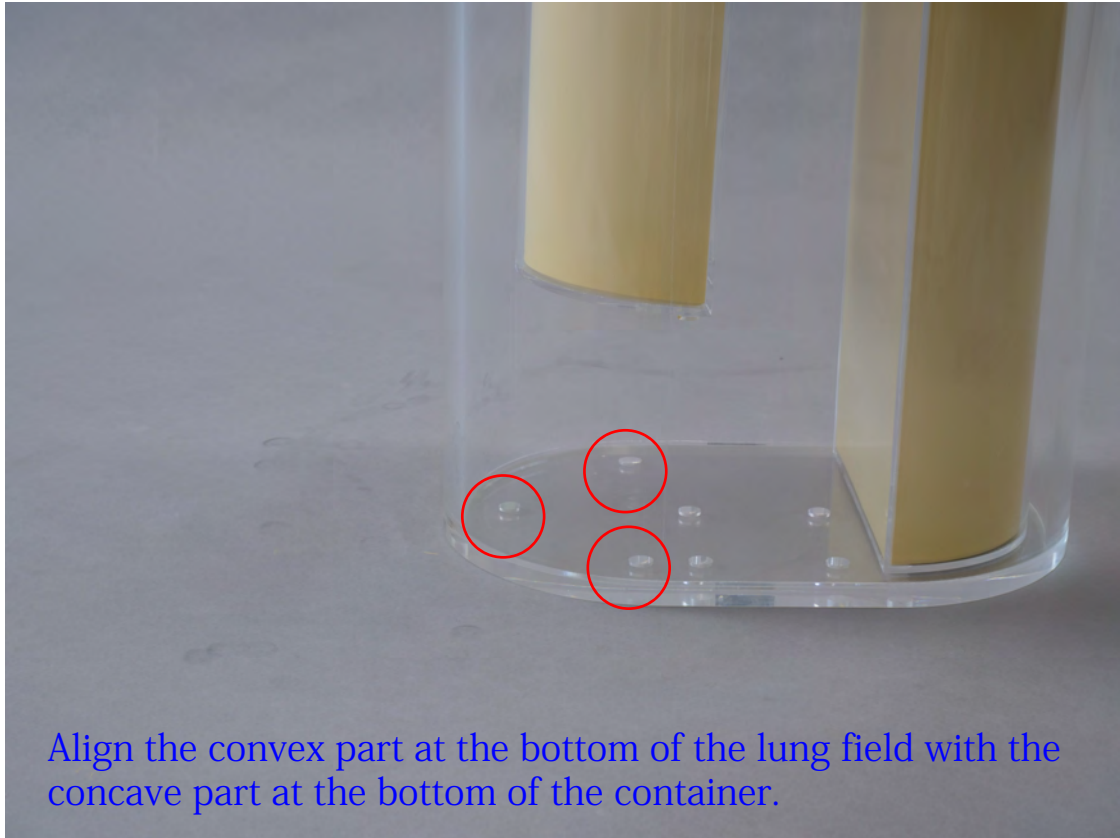
Outer container/vertebral body: Acrylic resin

Inner lung field: tough lung (PVA acetal product)

Drawing

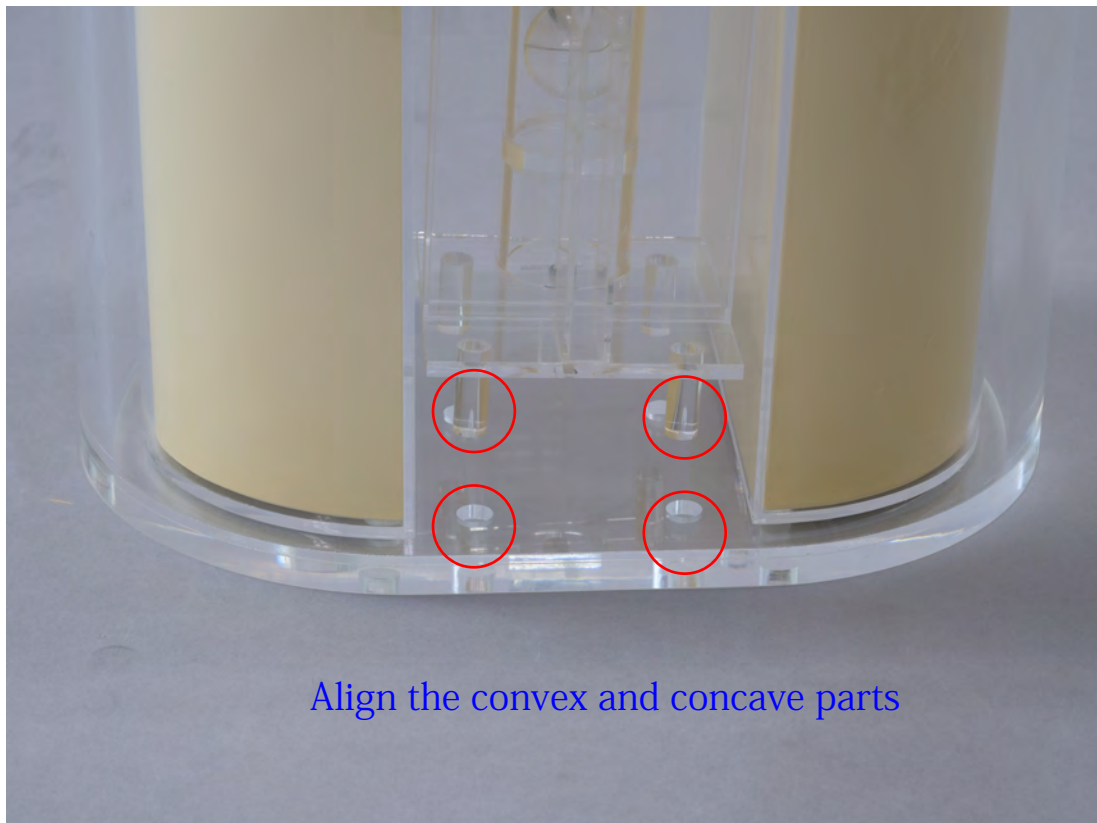


Detachment of the lung field



※It can be used as a chest if the lung field is attached, and as an abdomen if it is removed.

Assembling the spine

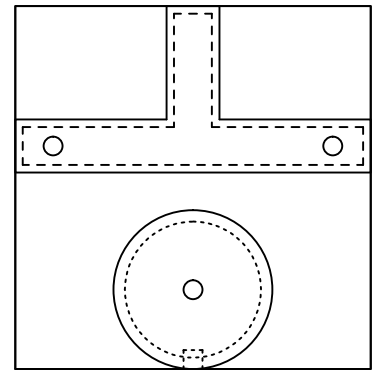


Lid installation



	Lot No.	Kyoto Kagaku Co. Ltd.

Si^m Bone Phantom Volume measurement record



$\phi 13\text{mm}$: 1.1ml
Measured value () ml

$\phi 17\text{mm}$: 2.6ml
Measured value () ml

$\phi 22\text{mm}$: 5.6ml
Measured value () ml

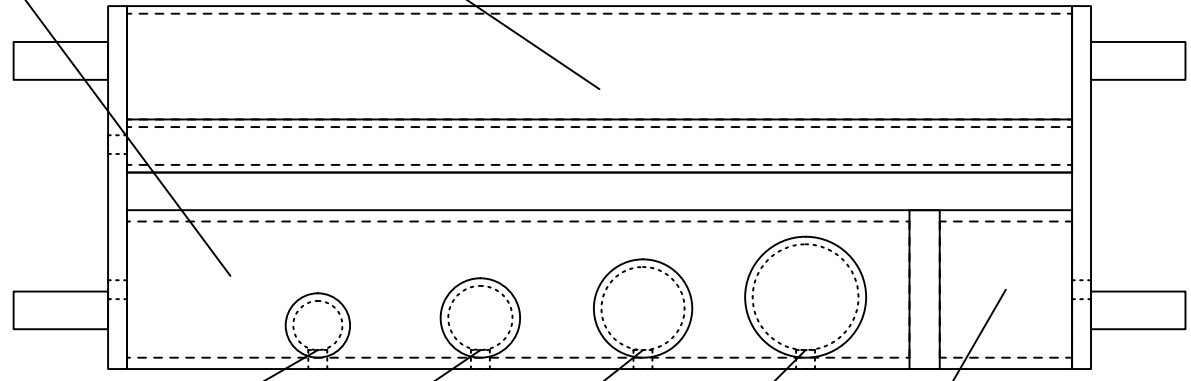
$\phi 28\text{mm}$: 11.5ml
Measured value () ml

$\phi 36 \times \text{H}35\text{mm}$: 35.6ml
Measured value () ml

$\phi 36 \times \text{H}207\text{mm}$: 190ml
Measure value () ml

$\text{W}90 \times \text{D}40 \times \text{H}250\text{mm}$: 300ml
Measured value () ml

Trunk
Measured value with lung field and vertebral body ()ml
Measured value with lung field and vertebral body ()ml





URL : <http://www.kyotokagaku.com>
e-mail : rw-kyoto@kyotokagaku.co.jp

Worldwide Inquiries & Ordering

Kyotokagaku Head Office and Factories:

15 Kitanechoya-cho, Fushimi-ku, Kyoto, 612-8388, JAPAN

Tel: +81-75-605-2510 Fax: +81-75-605-2519

Kyotokagaku USA Office: USA and Canada sales and services

3109 Lomita Boulevard, Torrance, CA 90505-5108, USA

Tel: 1-310-325-8860 Fax: 1-310-325-8867